

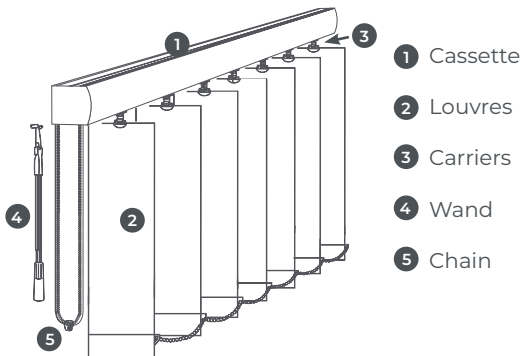
Vertical Blind Fitting Instructions

Cassette Headrail

BLINDS CHILD SAFETY AWARENESS

Keep all cords and chains out of the reach of children. Loose cords or chains should never be tied together.

Parts Identified



Additional Parts



Screws*



Brackets

Tools Required



Pencil



Screwdriver



Drill

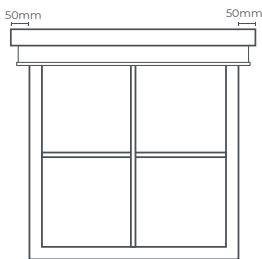


Tape Measure

Fitting Instructions

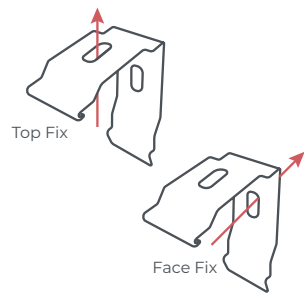
1. Measure

The brackets need to be positioned 50mm in from each side of the blind. Using your tape measure, mark these points with a pencil. Evenly space additional brackets between the two end brackets.



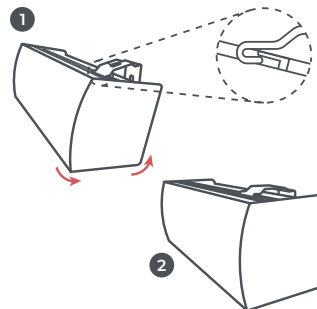
2. Fix Brackets

Choose whether you need to fit your brackets via top fix or face fix. Hold the brackets up to the pencil marks made in Step 1. Mark the relevant hole with a pencil. Drill holes and use suitable screws to fix the brackets. With a spirit level, check the brackets are level.



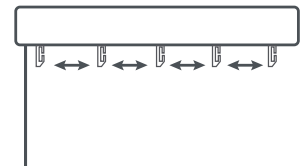
3. Hook, Tilt, Click

When the brackets are fitted, hook the ridge on the top of the cassette into the front of the brackets then push and tilt the cassette back until it clicks into the back part of the bracket.



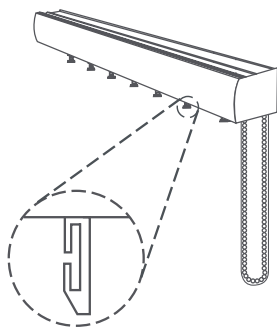
4. Space the carriers

Pull the cord/wand to draw the carriers across the width of the rail.



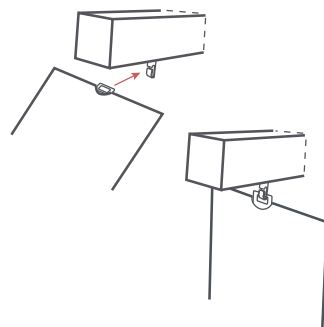
5. Open

Use the chain to tilt the carriers so the grooves face left or right**.



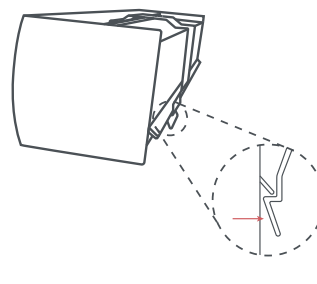
6. Fit the louvres

Gently hook the plastic hanger on the louvres into the groove. Gently let drop into position.



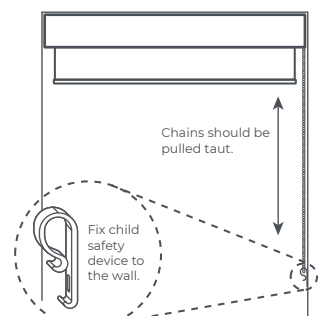
Removing the blind

Press the release tab on all brackets. Tilt cassette backwards and ease out of brackets.



Tensioning Device

To ensure your blind is child safe, ensure chains and cords are taut as you fit the safety clip to the wall.



Cleaning Instructions

Use a dry lint free cloth to wipe over the fabric of the blind.

*Before you start fitting your blind make sure the screws are suitable for the surface you are fitting into. Some surfaces will require wall plugs and different screws to the ones we provide.

**If the grooves face front or back then the blind will lock and the louvres will not turn.