

# Roman Blind Fitting Instructions

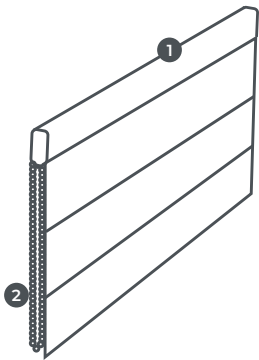
## Classic Headrail

BLINDS CHILD SAFETY AWARENESS



Keep all cords and chains out of the reach of children. Loose cords or chains should never be tied together.

### Parts Identified



- 1 Classic Headrail
- 2 Control Chain

### Additional Parts



Screws\*



Brackets

### Tools Required



Pencil



Screwdriver



Drill

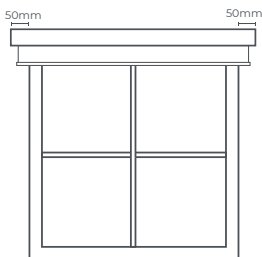


Tape Measure

### Fitting Instructions

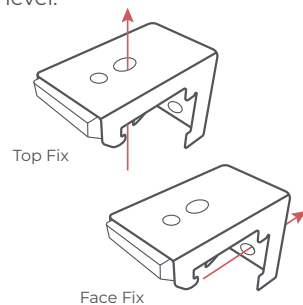
#### 1. Measure

The brackets need to be positioned 50mm in from each side of the blind. Using your tape measure, mark these points with a pencil. Evenly space additional brackets between the two end brackets.



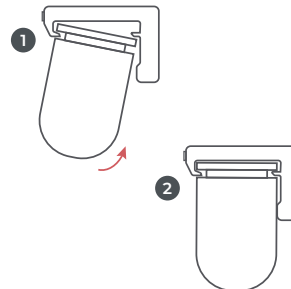
#### 2. Fix Brackets

Choose whether you need to fit your brackets via top fix or face fix. Hold the brackets up to the pencil marks made in Step 1. Mark the relevant hole with a pencil. With a spirit level, check the brackets are level.



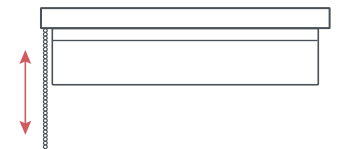
#### 3. Hook, Tilt, Click

When the brackets are fitted, hook the ridge on the top of the cassette into the front of the brackets then push and tilt the cassette back until it clicks into the back part of the bracket.



#### 4. Operating the Blind

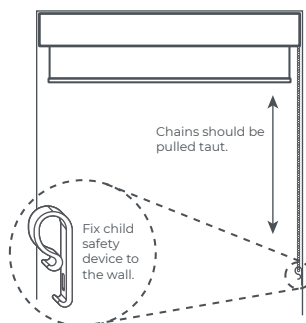
Pull the chain to raise and lower the blind. Do not continue pulling when the blind is fully retracted as you will damage it.



### Child Safety

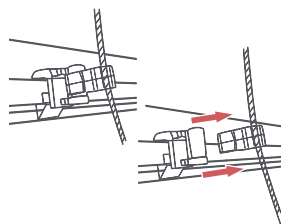
#### Tensioning Device

To ensure your blind is child safe, ensure chains and cords are taut as you fit the safety clip to the wall.



#### Cord Safety

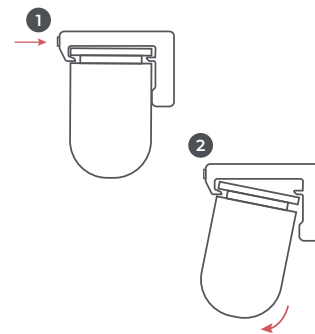
The cords on the back are connected to breakaway clips which disconnect when weight is put on the cords.



### Removing the Blind

#### Unclip from Brackets

Press the release tab on all brackets. Tilt cassette backwards and ease out of brackets.



#### Cleaning Instructions

Use a dry lint free cloth to wipe over the fabric of the blind.

\*Before you start fitting your blind make sure the screws are suitable for the surface you are fitting into. Some surfaces will require wall plugs and different screws to the ones we provide.