

Roller Blind Fitting Instructions

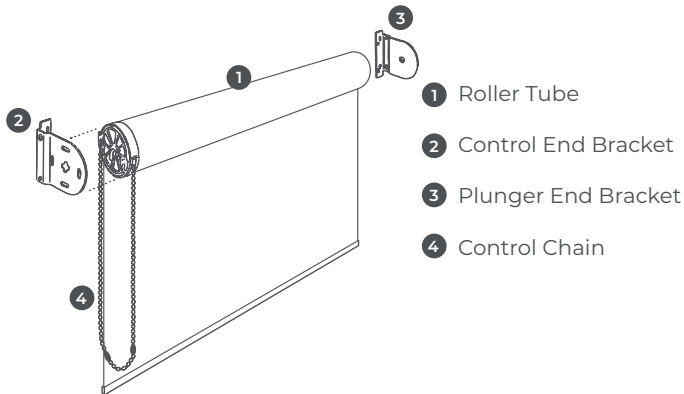
Classic Headrail

BLINDS CHILD SAFETY AWARENESS



Keep all cords and chains out of the reach of children. Loose cords or chains should never be tied together.

Parts Identified



Additional Parts



Tools Required



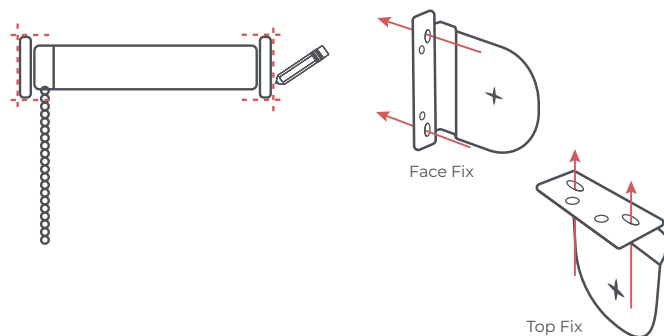
Fitting Instructions

1. Measure

Connect brackets to roller tube. Decide if you want to face fix or top fix your blind. Use a pencil to mark the outside of the brackets.

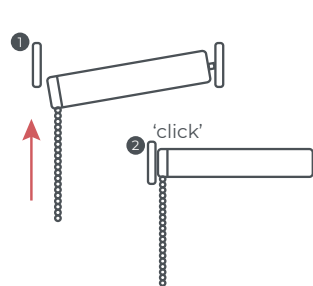
2. Fix Brackets

Position just the brackets and mark the screw holes. Drill holes and fix brackets.



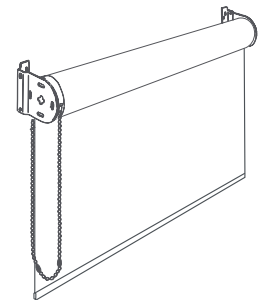
3. Plunge and 'click'

Push the plunger end into the bracket until it suppresses. Gently guide the control end into the bracket until it clicks.



4. Operating your Blind

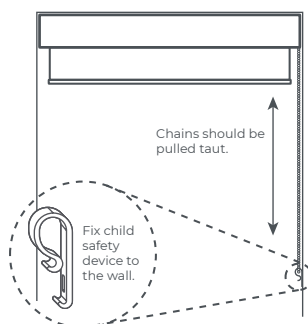
Pull the chain to raise and lower your blind. Do not continue pulling when the blind is fully retracted as you will damage it.



Child Safety

Tensioning Device

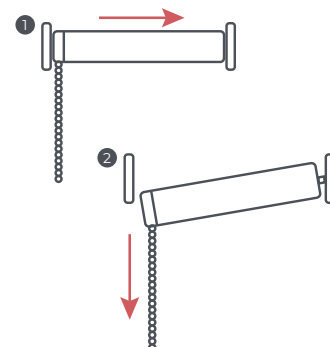
To ensure your blind is child safe, ensure chains and cords are taut as you fit the safety clip to the wall.



Removing the Blind

Unclip from Brackets

Push towards the plunger end. Gently slide blind out of the brackets.



Cleaning Instructions

Use a dry lint free cloth to wipe over the fabric of the blind.

*Before you start fitting your blind make sure the screws are suitable for the surface you are fitting into. Some surfaces will require wall plugs and different screws to the ones we provide.